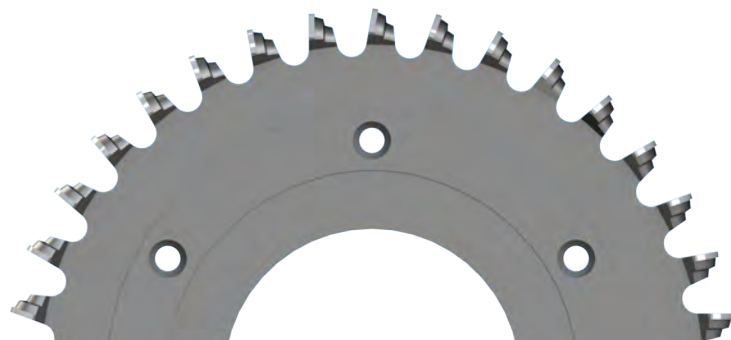
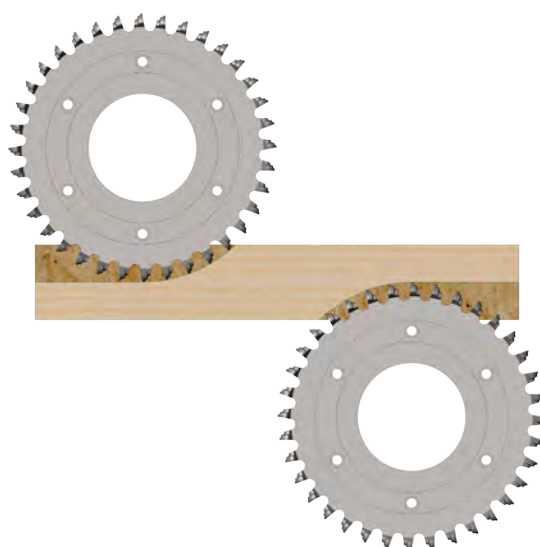
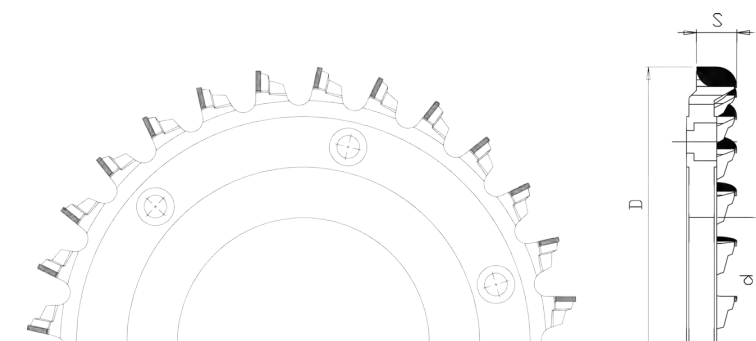


## Truciolatori a profilo raggiato

*Sides round hoggers*



ØD	S	Z	Foro	Codice
220	16	20+4	100+6	<b>TR10.8.220.20.R/L</b>
220	16	24+4	100+6	<b>TR10.8.220.24.R/L</b>
220	16	28+4	100+6	<b>TR10.8.220.28.R/L</b>
250	16	24+4	100+6	<b>TR10.8.250.24.R/L</b>
250	16	30+4	100+6	<b>TR10.8.250.30.R/L</b>
250	16	36+6	100+6	<b>TR10.8.250.36.R/L</b>



**Caratteristiche**

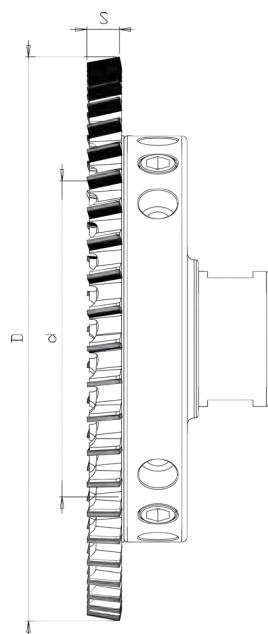
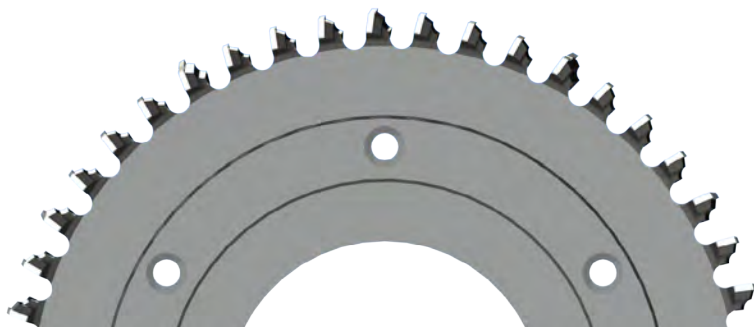
Truciolatore a profilo raggiato . Altezza diamante 8 mm.

**Characteristics**

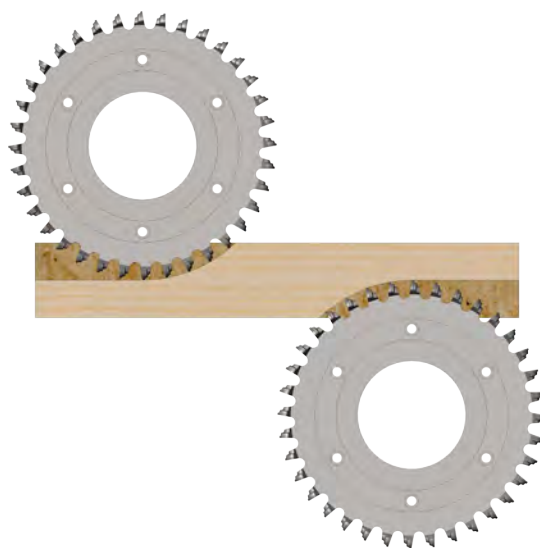
Sides round hogging units. Diamond height 8 mm.

## Truciolatori a profilo inclinato

*Sides flat hoggers*



ØD	S	Z	Foro	Codice
220	15	30+6	100+6	<b>TR20.220.30.R/L</b>
220	15	36+6	100+6	<b>TR20.220.36.R/L</b>
250	15	36+6	100+6	<b>TR20.250.36.R/L</b>
250	15	42+6	100+6	<b>TR20.250.42.R/L</b>
250	15	48+6	100+6	<b>TR20.250.48.R/L</b>



### Caratteristiche

Truciolatore a profilo inclinato . Altezza diamante 6 mm.

### Characteristics

Sides flat hogging units. Diamond height 6 mm.